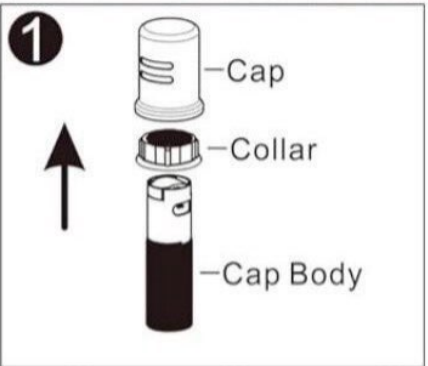


Installation Instructions

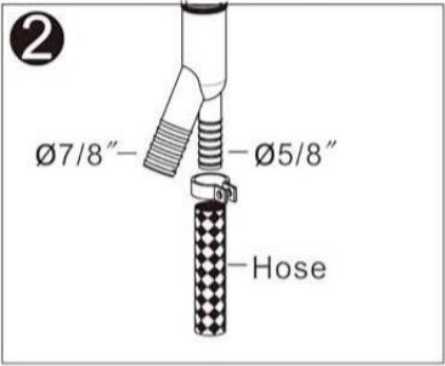
Tools Required



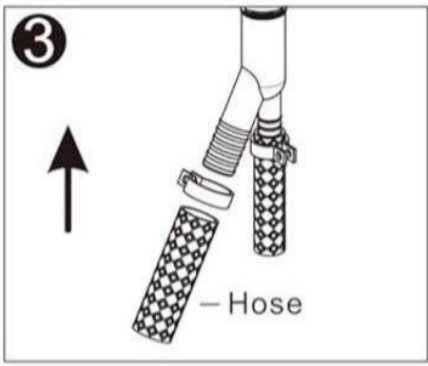
Installation Instructions



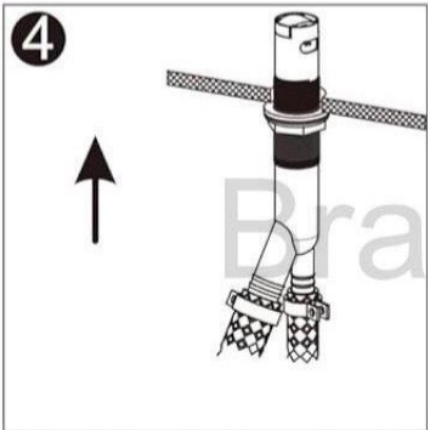
1. Remove old cap and collar from Cap body



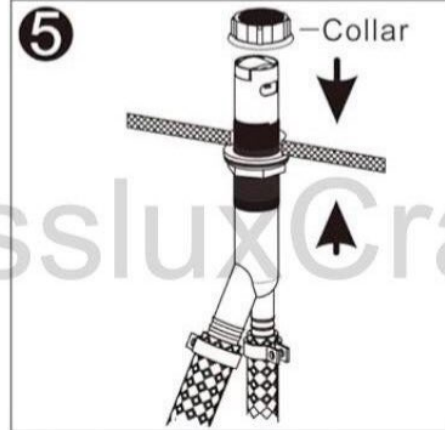
2. Attach 5/8" dishwasher drain hose to 5/8" leg, Secure with hose clamp.



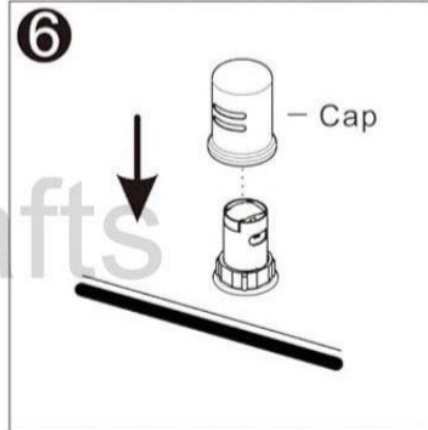
3. Attach 7/8" garbage disposal hose or side inlet sink trap drain hose to 7/8" leg, Secure with hose Clamp.



4. Air Cap should appear above Sink trim surface, Push body through mounting hose.



5. Tighten the nut and collar.



6. Place cap over the body collar.