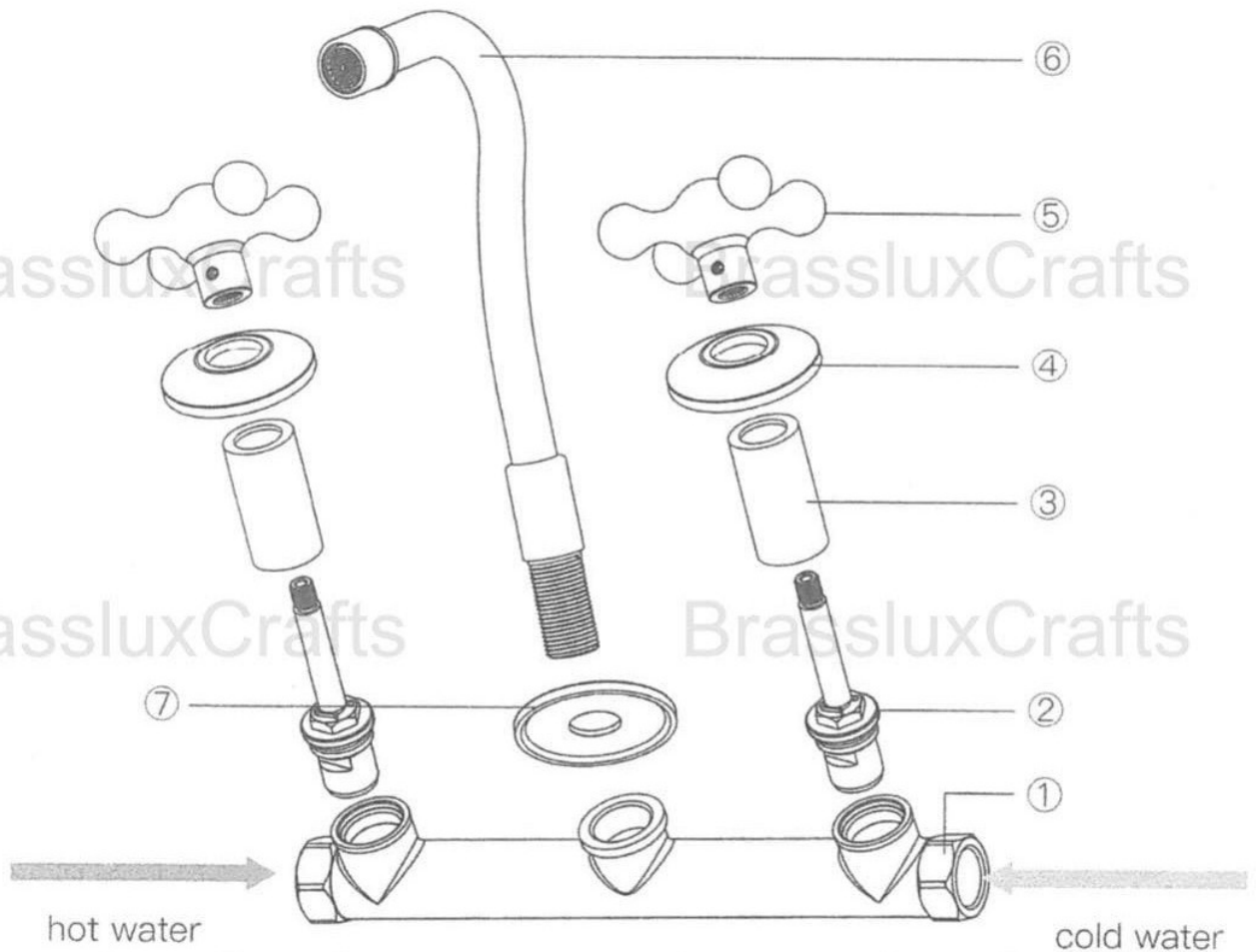




**B** **BRASSLUX**  
— CRAFTS —

BrassluxCrafts

BrassluxCrafts



BrassluxCrafts

BrassluxCrafts

- ① Valve body   ② Cartridge   ③ Round Cover   ④ Decoration cover  
⑤ Crossing Handle   ⑥ Spout   ⑦ Decoration plate

BrassluxCrafts

BrassluxCrafts

### How to install

1. Embed the faucet body inside the wall
2. Connect the spout with the middle connector of the valve body
3. Install the handle on the two ends of the body

