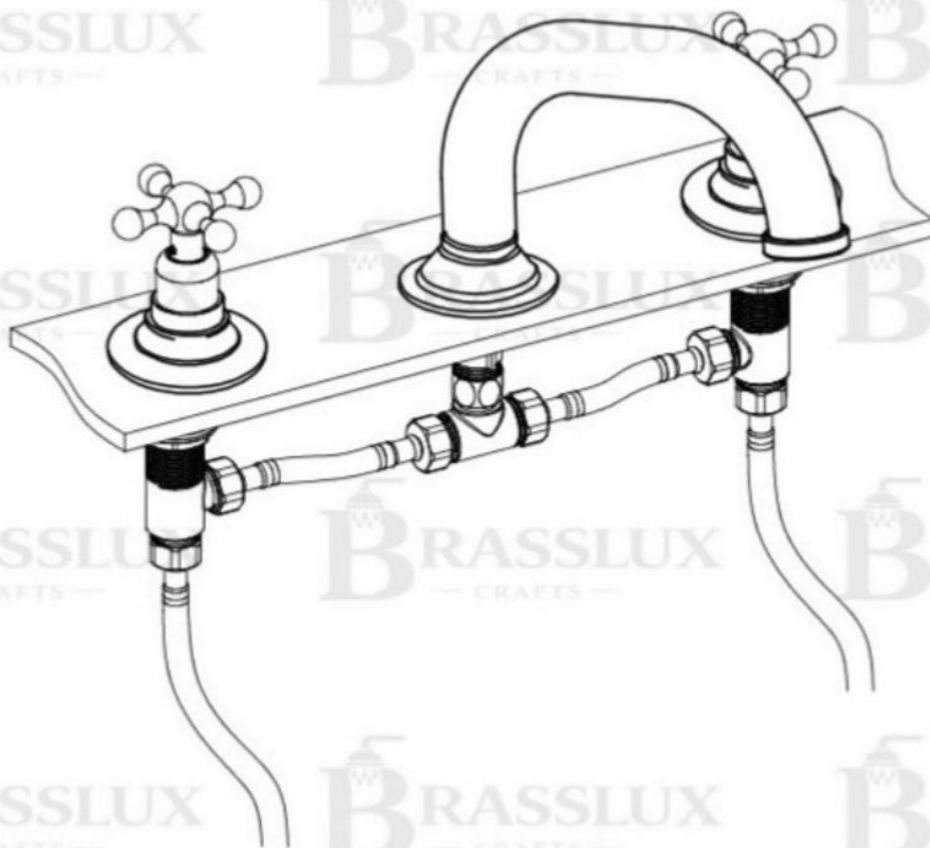


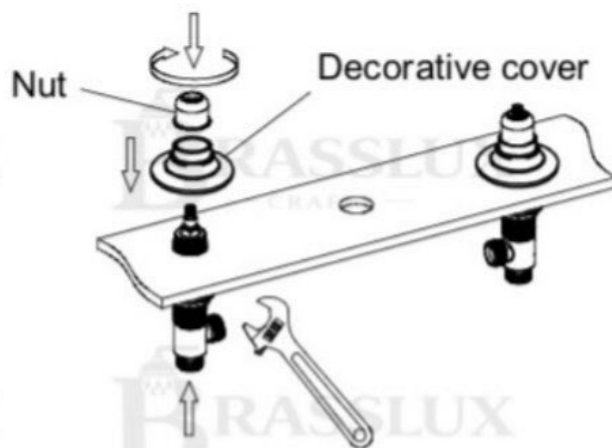
INSTALLATION GUIDE



Double-handle Separate-type Basin Faucet

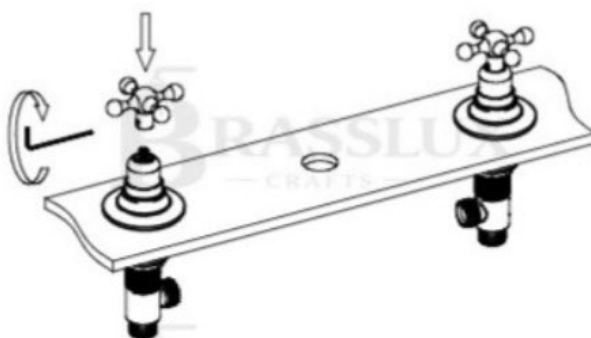
G500

Step 1:



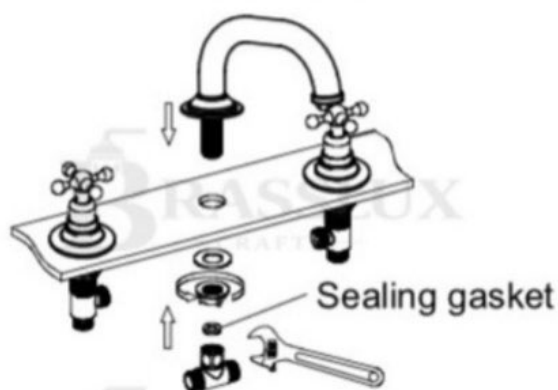
Unscrew the nut on the valve body, pass the valve body through the reserved hole from the bottom of the installation surface, take the decorative cover and insert it into the valve body, then screw the nut in again and tighten it. Use a wrench to tighten and fix the gasket and nut on the valve body from the bottom.

Step 2:



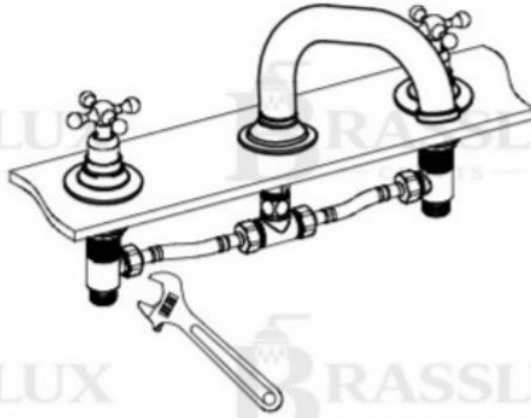
Insert the handle into the flower teeth of the valve body and tighten the screws on the handle with a hex wrench.

Step 3:



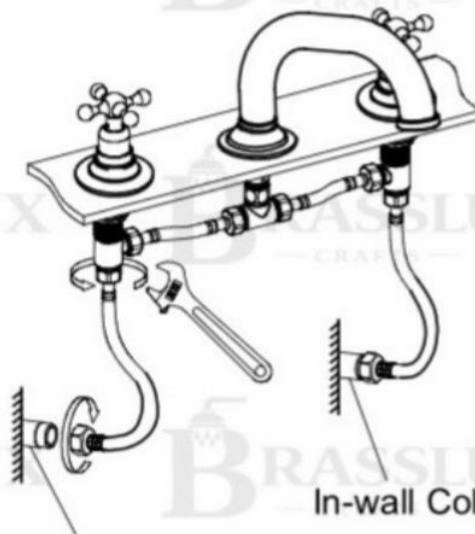
Pass the outlet pipe through the base and insert it into the reserved hole. From the bottom of the installation surface, screw the rubber pad nut onto the threaded tube and tighten it to fix it. Then, screw the three-way valve with the sealing gasket into the threaded tube and tighten it with a wrench.

Step 4



Connect the two connecting pipes to the valve body and the tee respectively, and lock the nuts with a wrench.

Step 5:

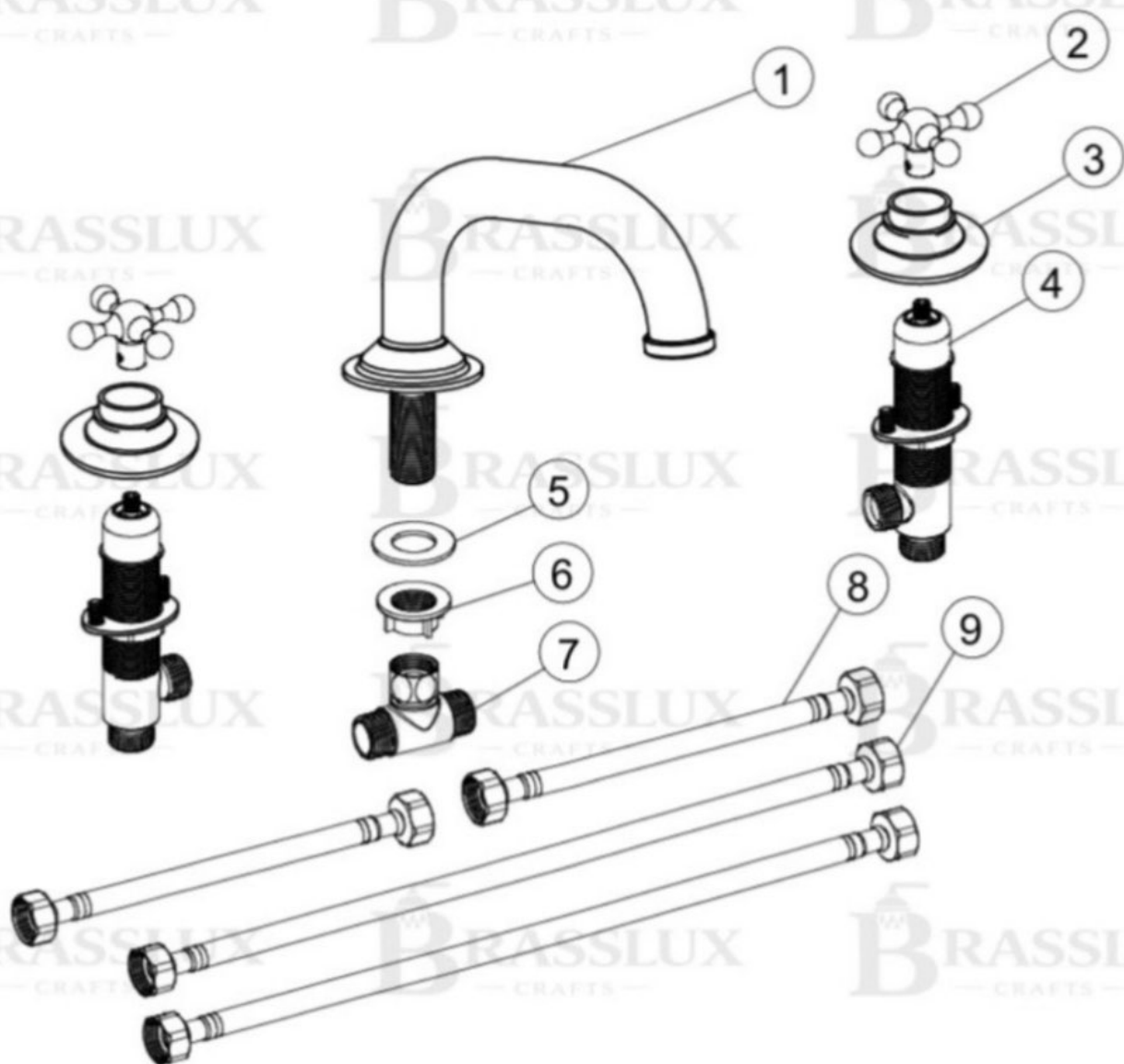


In-wall Hot Water Inlet Fitting

In-wall Cold Water Inlet Fitting

Connect the water inlet pipes to the valve body and the in-wall water inlet fittings respectively, and lock them with a wrench.

Open the faucet handle, check that all connection parts are free of leakage, and the installation is completed.



No.	DESCRIPTION	QUANTITY
1	Outlet pipe	1
2	Handle	2
3	Decorative cover	2
4	Valve body	2
5	Rubber pad	1
6	Fixed nut	1
7	Three-way	1
8	Connecting pipe	2
9	Inlet pipe	2

1. Please check that all components and tools are present.
2. Before installation ensure that all feed lines are clear of debris and on/off valve is present.
3. Ensure water pressure is between 20~125 PSI. (includes combination of hot and cold feed lines)
4. Pictures in the manual are general in content and may not represent exactly your purchased faucet.
If you are having difficulties please contact a professional plumber.
5. If you will be away from home for an extended period you should shut off the main water supply.