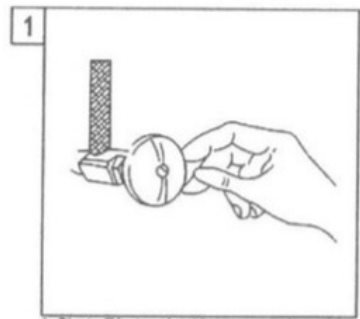
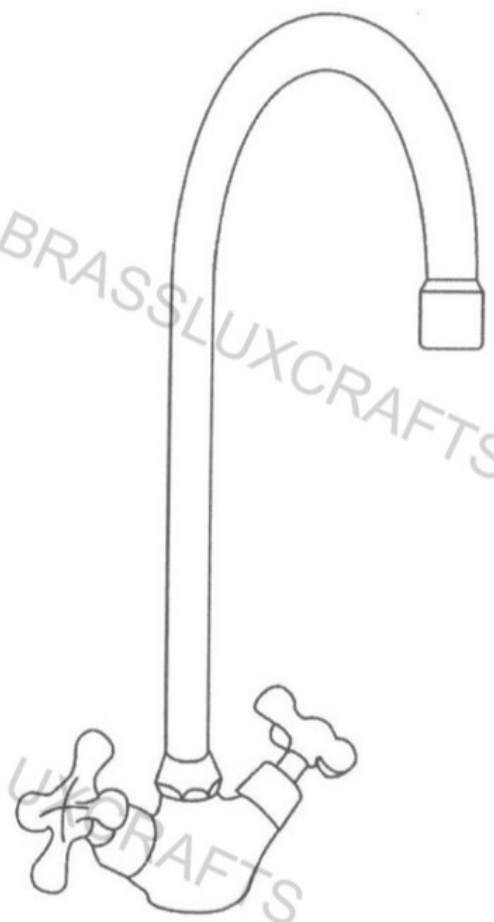


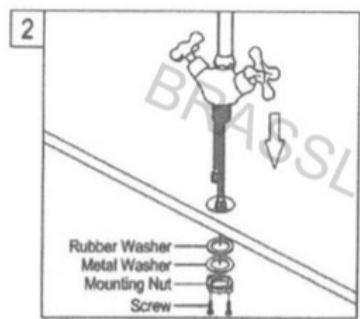


B **BRASSLUX**
— CRAFTS —

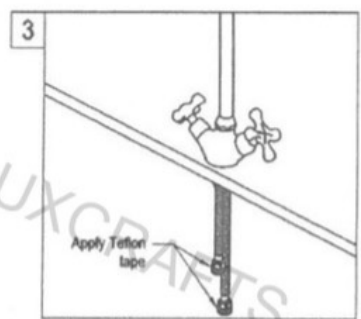
Installation steps of faucet



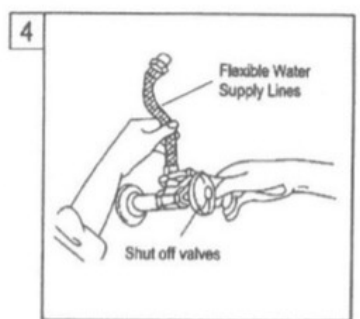
1. Shut off hot and cold water supply under sink. Plug sink drain with cloth to avoid losing small parts. Remove old faucet.



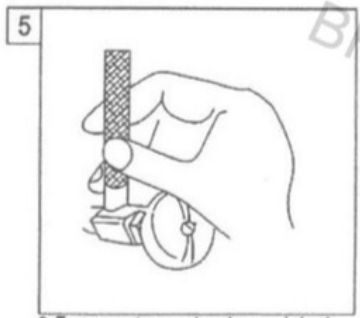
2. From above insert faucet into desired location. Unscrew both adjustment screws on mounting nut, as much as possible without removing them. From below insert the washers and hand-tighten the mounting nut all the way to the top. Gently tighten the screws to lock the faucet in place using a Philips screwdriver.



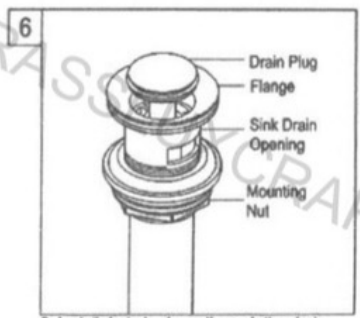
3. Apply Teflon tape to inlet shanks and connect supply lines.



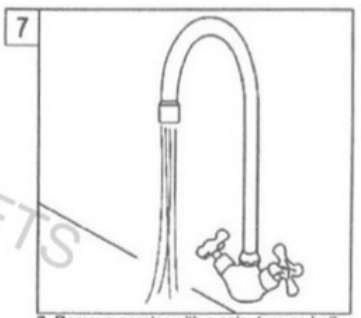
4. Apply Teflon tape to threads on faucet shank and shut off valves, connect water supply line.



5. Turn on water supply valves and check for leaks, especially all supply line connections.


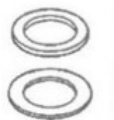
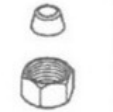



6. Install drain body up through the drain opening and reattach the flange onto drain body. Holding the drain body in position with overflow facing the position of sink overflow hole and hand tighten the mounting nut.



7. Remove aerator with a coin, turn on both hot and cold water valve and let water run for at least one minute. This will clear any debris left in the line then reinstall aerator.

Parts:

Mounting Nut & Screw	Rubber Washer & Metal Washer	Cone Washer & Coupling Nut	Push Drain
			
1 Pc	1 Pc	2 Pcs	1 Pc

Need Tools:



Warning!!!

- Do not over-tighten nut during installation.
- Over-tighten may crack the valve and cause severe leak.



BRASSLUXCRAFTS

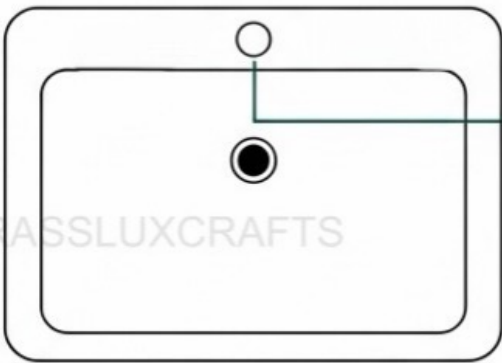
BRASSLUXCRAFTS

BRA

BRASSLUXCRAFTS

BRASSLUXCRAFTS

BRA



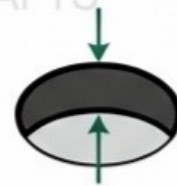
**Max countertop thickness:
1.37" (35mm)**

Pre-drilled hole size requirement:



Hole size 1.26"-1.57"

**Max counter top thickness
without deck plate:**



Deck thickness 0.2"-1.37"

BRASSLUXCRAFTS

BRASSLUXCRAFTS

BRA

BRASSLUXCRAFTS

BRASSLUXCRAFTS

BRA