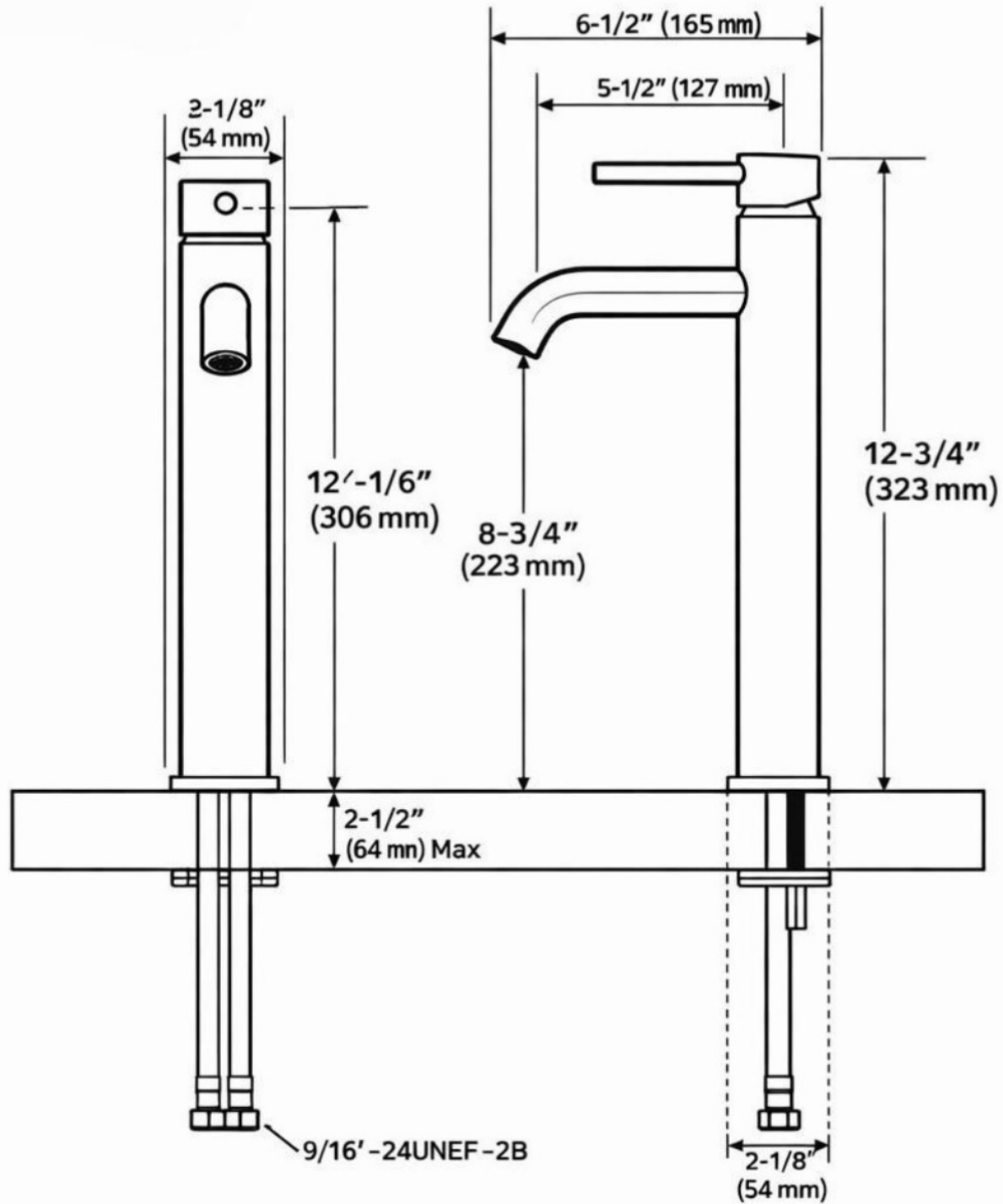




BRASSLUX
— CRAFTS —

Dimension



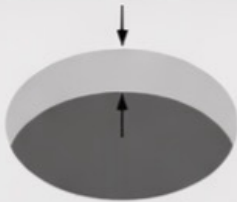
Pop-Up Drain Dimensions

Sink Hole Diameter



Min. 1 5/8"
Max. 2"

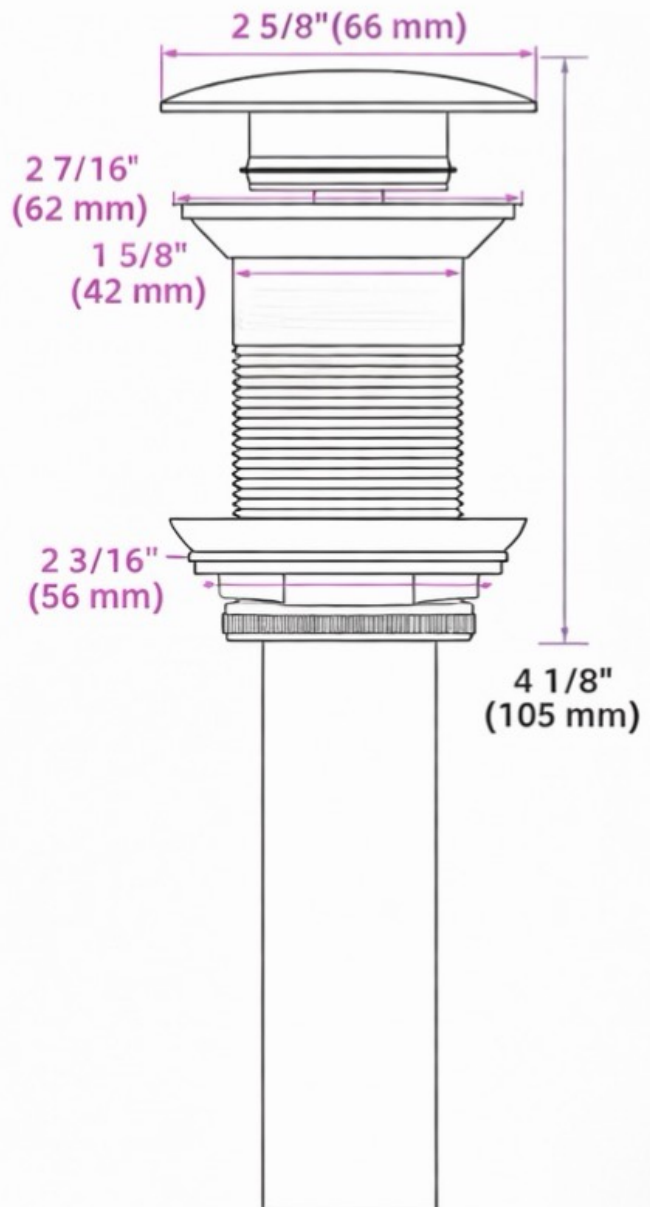
Sink Hole Thickness



Min. 13/16"
Max. 2"

Large Cap Design

This drain has top flange in 2 5/8" diameter, please check if it fits with your sink.



BRASSLUXCRAFTS

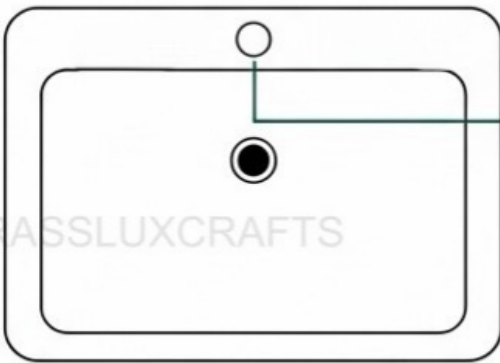
BRASSLUXCRAFTS

BRA

BRASSLUXCRAFTS

BRASSLUXCRAFTS

BRA



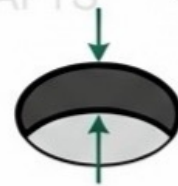
**Max countertop thickness:
1.37" (35mm)**

Pre-drilled hole size requirement:



Hole size 1.26"-1.57"

**Max counter top thickness
without deck plate:**



Deck thickness 0.2"-1.37"

BRASSLUXCRAFTS

BRASSLUXCRAFTS

BRA

BRASSLUXCRAFTS

BRASSLUXCRAFTS

BRA