

BRASSLUX
— CRAFTS —

BRASSLUX
— CRAFTS —

BRASSLUX
— CRAFTS —

INSTALLATION GUIDE

BRASSLUX
— CRAFTS —

BRASSLUX
— CRAFTS —

BRASSLUX
— CRAFTS —

BRASSLUX
— CRAFTS —

BRASSLUX
— CRAFTS —

BRASSLUX
— CRAFTS —

BRASSLUX
— CRAFTS —

BRASSLUX
— CRAFTS —

BRASSLUX
— CRAFTS —

BRASSLUX
— CRAFTS —

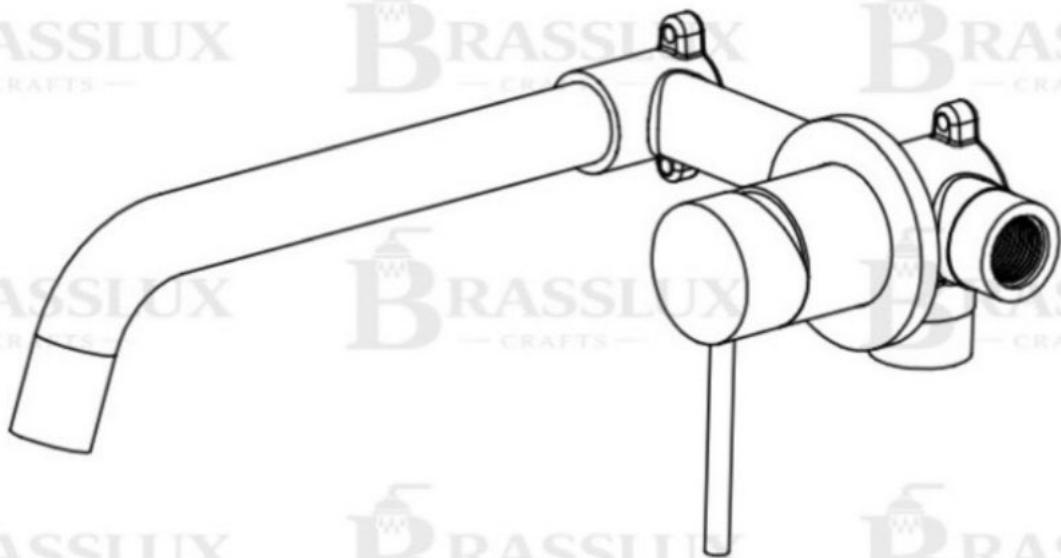
BRASSLUX
— CRAFTS —

BRASSLUX
— CRAFTS —

BRASSLUX
— CRAFTS —

BRASSLUX
— CRAFTS —

BRASSLUX
— CRAFTS —



Concealed Basin Faucet

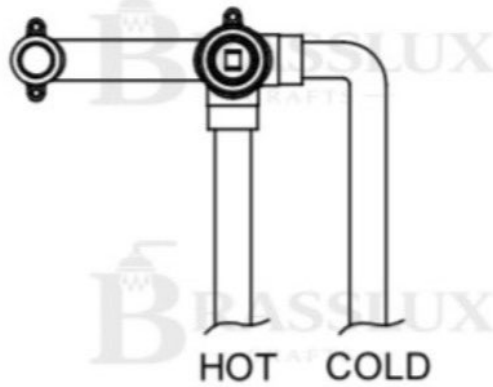
S1008

BRASSLUX
— CRAFTS —

BRASSLUX
— CRAFTS —

BRASSLUX
— CRAFTS —

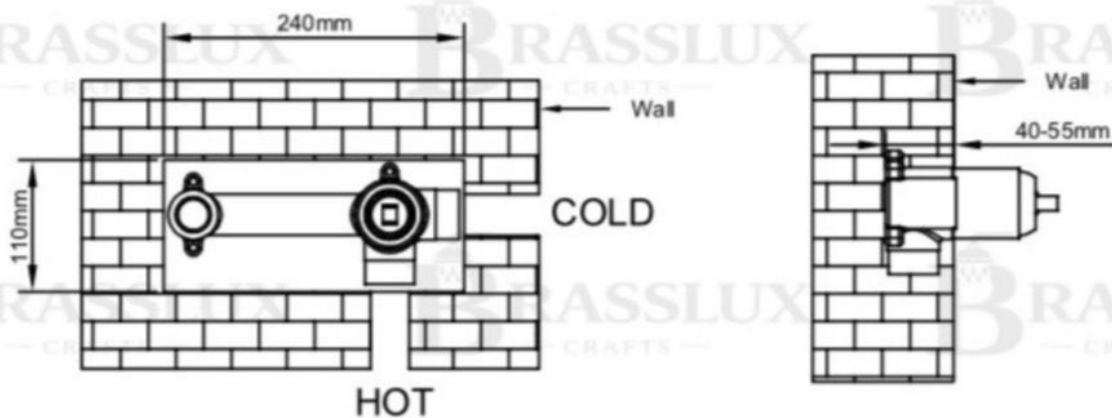
Step 1:



Connect the cold and hot water supply lines to the control valve.

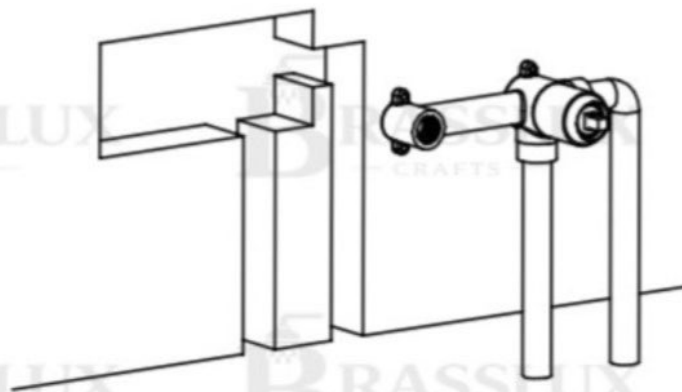
Important Note: Connect cold water to the right inlet, and hot water to the bottom inlet.

Step 2:



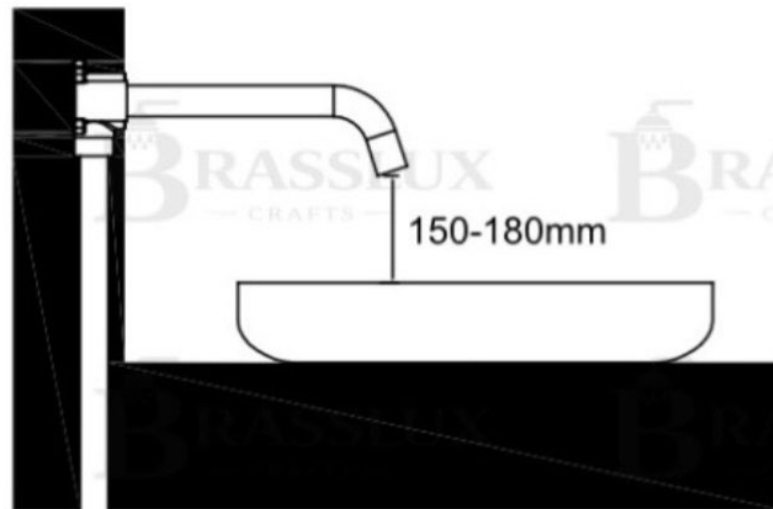
The wall opening size for the in-wall rough-in box is 240×110× (40-55mm depth), with 45mm being the optimal depth.

Step 3:



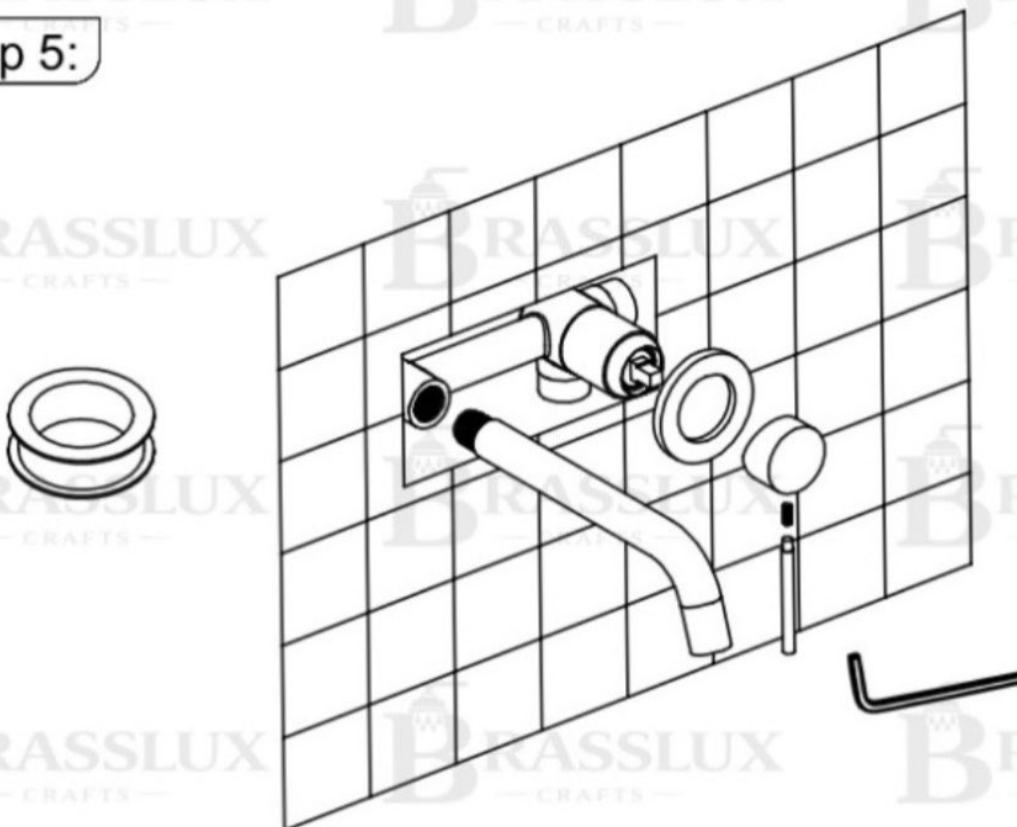
Please refer to the basic product dimensions shown in the figure below. Cut the wall to create the main rough-in cavity and the cold/hot water inlet openings. Connect the cold and hot water supply pipes to the control valve separately, then tighten and secure all connections with a wrench.

Step 4



The distance from the faucet spout to the edge of the countertop basin should be 150mm to 180mm.

Step 5:



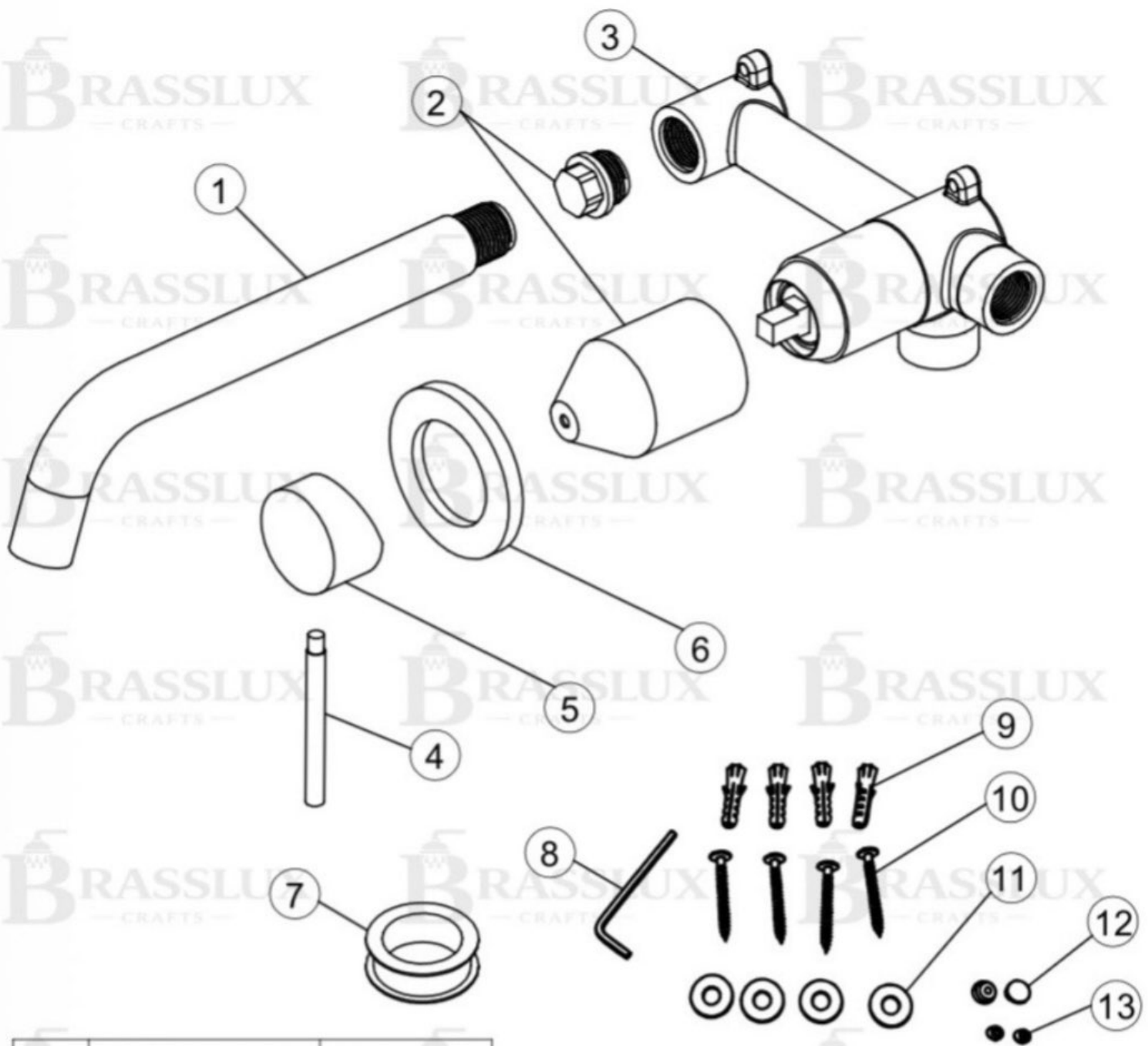
Remove the protective cover and the white plug from the main body outlet.

Slide the decorative cover over the control valve body.

Wrap PTFE tape around the spout connecting rod, then tighten it to connect the spout to the water outlet.

Insert the handwheel onto the valve cartridge and tighten the set screw.

Install the handle, Installation is complete.



No.	DESCRIPTION	QUANTITY
1	Spout	1
2	Protective Cover	2
3	Control Valve	1
4	Handle	1
5	Handwheel	1
6	Decorative cover	1
7	PTFE tape	1
8	Allen key	1
9	Screw set	4
10	Screw	4
11	Washer	4
12	Plug	2
13	Set screw	2

1. Please check that all components and tools are present.
2. Before installation ensure that all feed lines are clear of debris and on/off valve is present.
3. Ensure water pressure is between 20~125 PSI. (includes combination of hot and cold feed lines)
4. Pictures in the manual are general in content and may not represent exactly your purchased faucet. If you are having difficulties please contact a professional plumber.
5. If you will be away from home for an extended period you should shut off the main water supply.