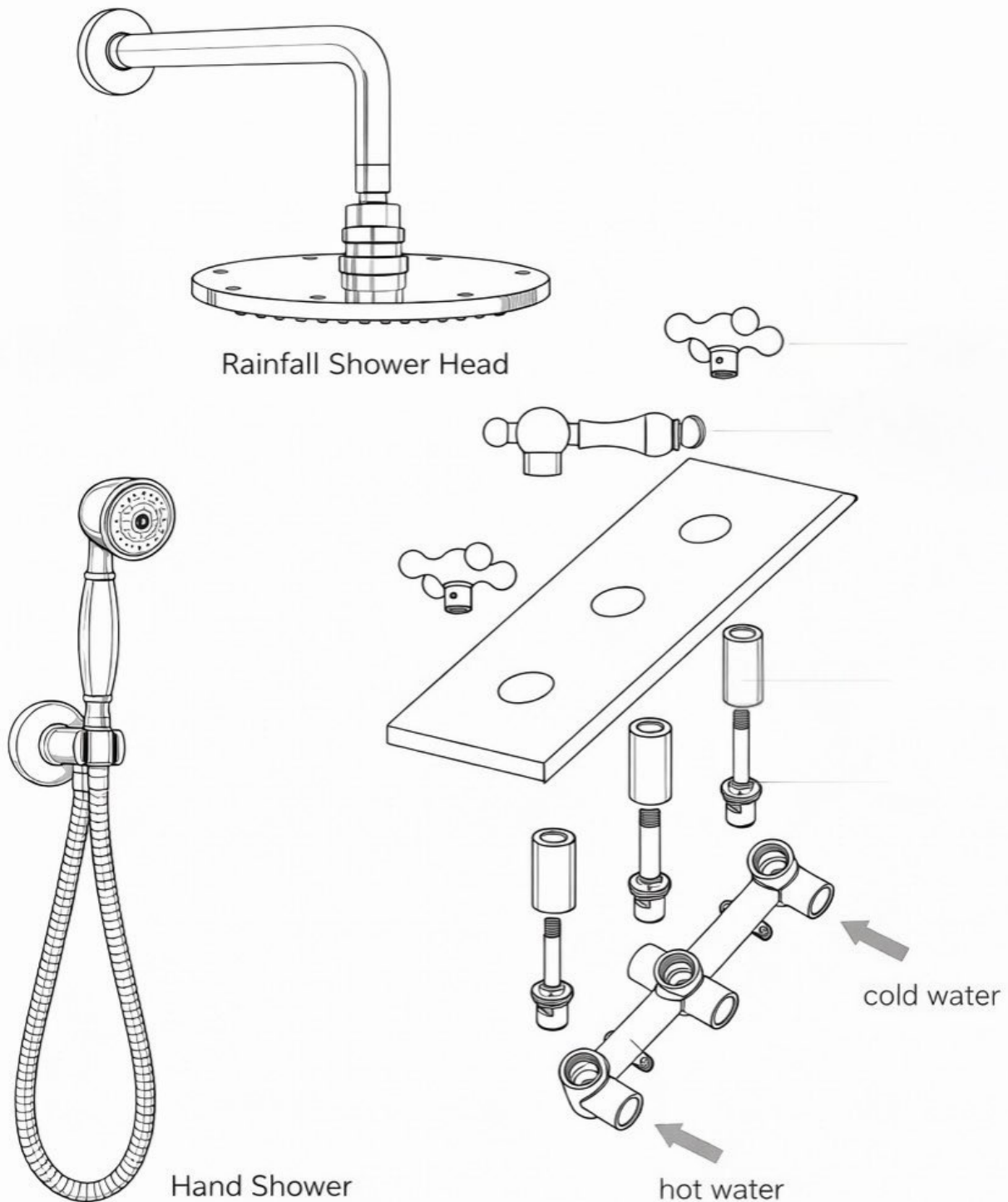


Panel Shower System with Rainfall Shower Head & Hand Shower



How to install

1. Embed the valve body inside the wall.
2. Put the decoration panel onto the cylinder handle.
3. Install the crossing/lever handle with the cartridge handle and fix it.
4. Connect the spout with the water supply and use the fixing holder to fix the spout.
5. Install the connector and the shower head with the spout.
6. Install the elbow with the water supply and connect the hose with the hand shower.
7. Install the shower holder onto an available position on the wall and put the shower on it.

