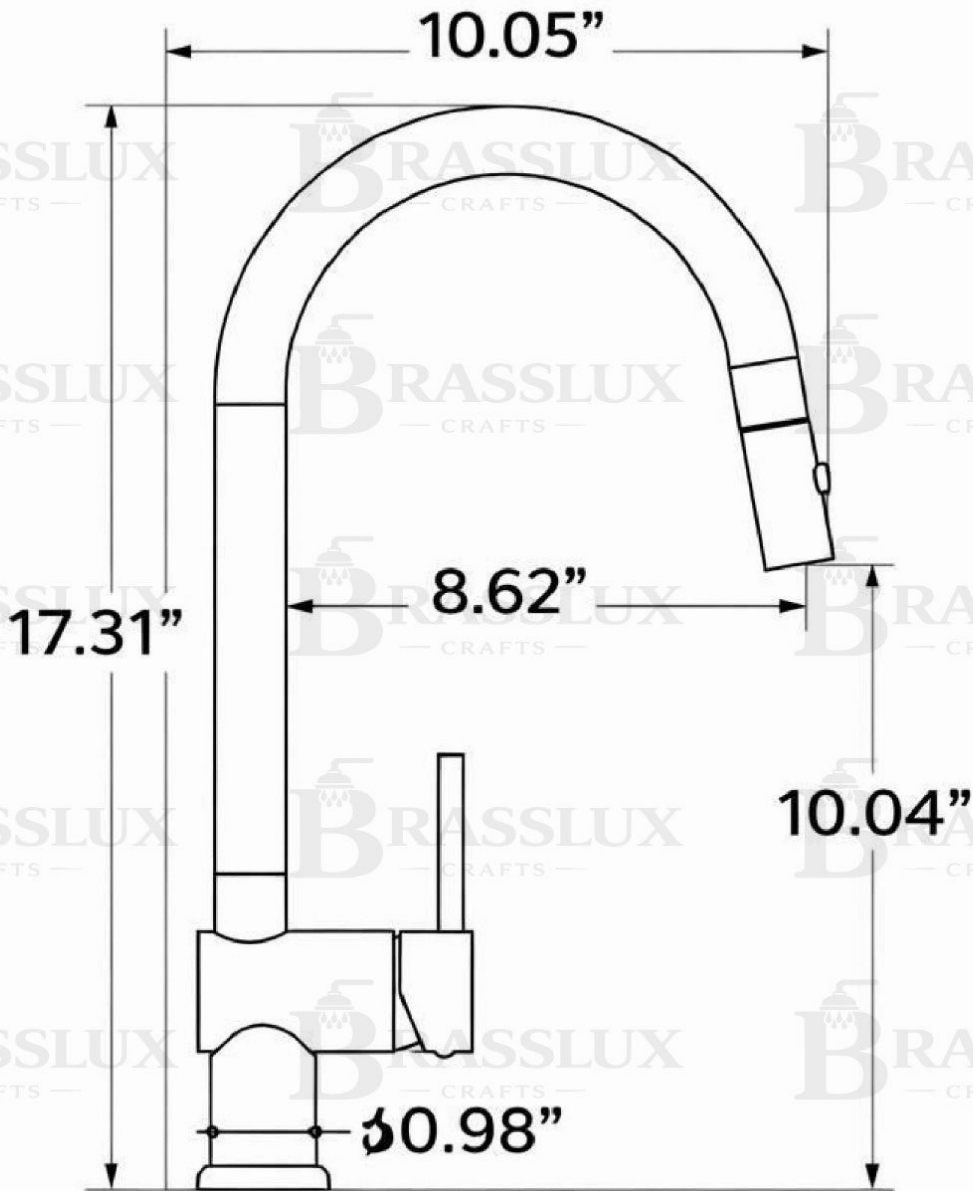


DIMENSIONS



Hole Size: $\phi 1$ "

Max Deck Thickness: 1.57"