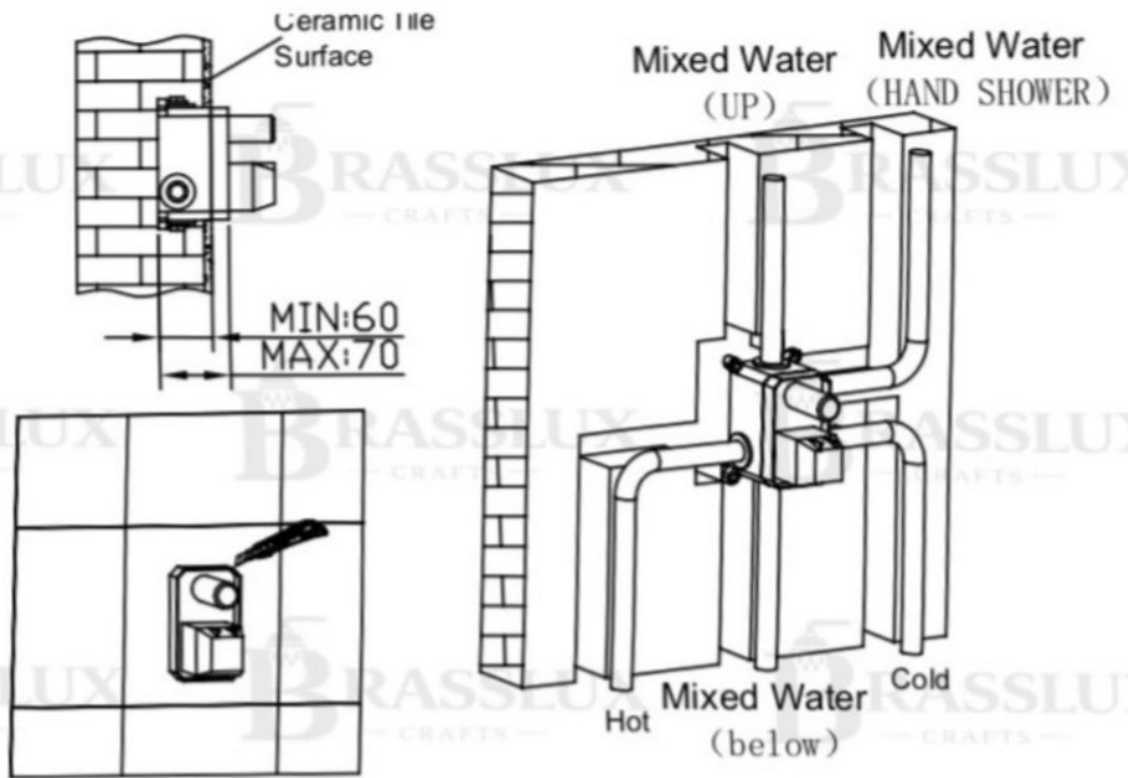


INSTALLATION GUIDE



Wall mounted shower mixer with rigid riser rail kit

Step 1:



Before tiling, trim any protruding edges and cut tile holes according to the panel dimensions.

Installation Steps

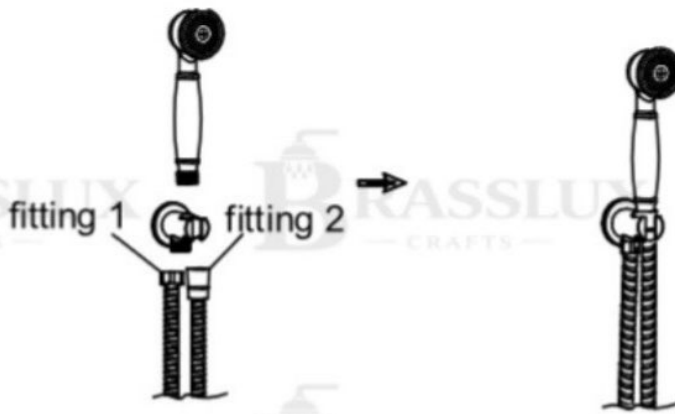
1. Drill the main hole in the wall using specialized tools, matching the pre-embedded box dimensions. Ensure the hole depth (60–70mm from finished surface) accounts for wall finish thickness (e.g., 40–50mm for rough walls with 20mm tile added).
2. Size the hole for easy pre-embedded box installation.
3. Level the hole for vertical/horizontal alignment.
4. Cut pipe channels per the box's piping and accessory requirements.
5. Connect cold/hot inlets and upper/lower and right water outlets as labeled.
6. Test water pressure and clean pipes before final embedding (keep mixed water channel open).
7. Test for leaks: Open valve core, check inlet pipes, then rotate diverter to test outlets. Flush debris to prevent clogging.
8. Trim excess box material after embedding, install panel/control handle, and verify smooth operation.

Step 2:



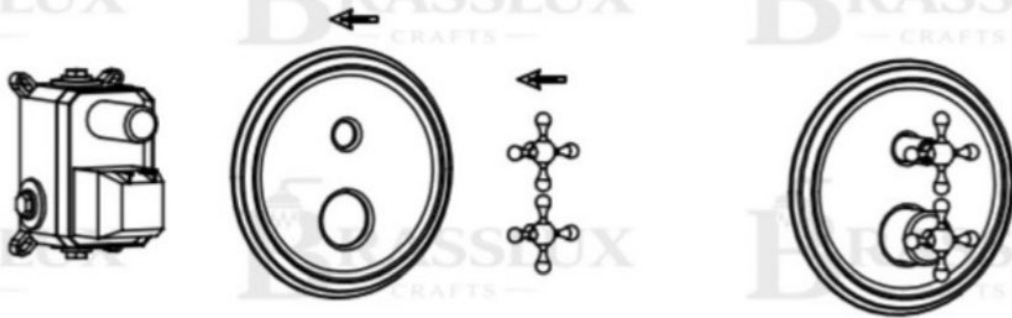
1. Wrap the thread with PTFE tape, fit the flange onto the outlet pipe, install it to the upper water outlet on the wall, then attach the ball adapter and rain shower respectively.
2. Wrap the thread with PTFE tape, fit the flange onto the outlet pipe, install it to the lower water outlet on the wall and tighten securely.
3. Wrap the thread with PTFE tape, fit the flange onto the shower holder, install the shower holder to the HAND SHOWER outlet on the wall.

Step 3:



Tighten Fitting 1 onto the Shower Holder, then screw the hand shower onto Fitting 2 before hanging it on the Shower Holder.

Step 4:



Remove the front cover of the Three-way Box, mount the Panel onto the Three-way unit, then fit the handle and tighten it securely with a hex key.

General Cleaning

Products are made from premium materials, with hand polishing and electroplated finishes.

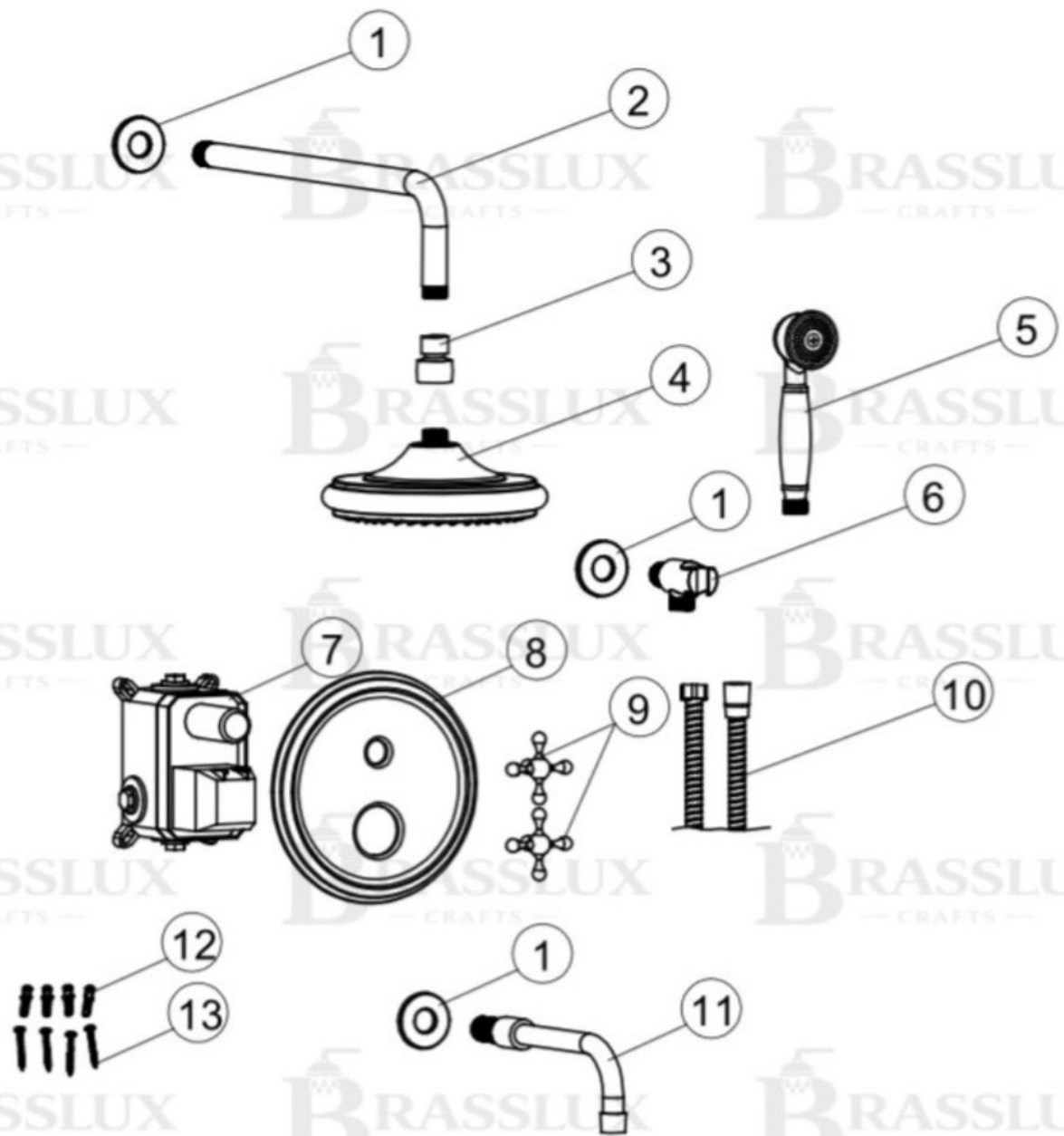
Your taps or shower should be regularly cleaned with warm water, a mild pH-neutral liquid soap, and polished with a soft cloth. Any residues from soap, toiletries etc. should be rinsed off straight after use. Failure to follow the cleaning instruction may result in the warranty being invalid.

Household bleaches and cleaners contain harsh chemicals and may damage the surface finish. Avoid using abrasive cloths, scouring pads, scrub sponges, steel wool or anything similar.

Some surfaces such as nickel and pewter may be affected by the dye found in some cloths, so it is also important to avoid hanging cloths on surfaces.

Cleaning

All surfaces should be cleaned using a clean damp cloth.
No abrasive cleaning agents or materials should be used.



No.	DESCRIPTION	QUANTITY
1	Flange	3
2	Outlet pipe	1
3	ball adapter	1
4	Rain shower	1
5	Shower	1
6	Shower Holder	1
7	Three-way Box	1
8	Panel	1
9	Crossing Handle	2
10	Shower hose	1
11	Outlet pipe	1
12	plastic anchor	4
13	screws	4

1. Please check that all components and tools are present.
2. Before installation ensure that all feed lines are clear of debris and on/off valve is present.
3. Ensure water pressure is between 20~125 PSI. (includes combination of hot and cold feed lines)
4. Pictures in the manual are general in content and may not represent exactly your purchased faucet. If you are having difficulties please contact a professional plumber.
5. If you will be away from home for an extended period you should shut off the main water supply.